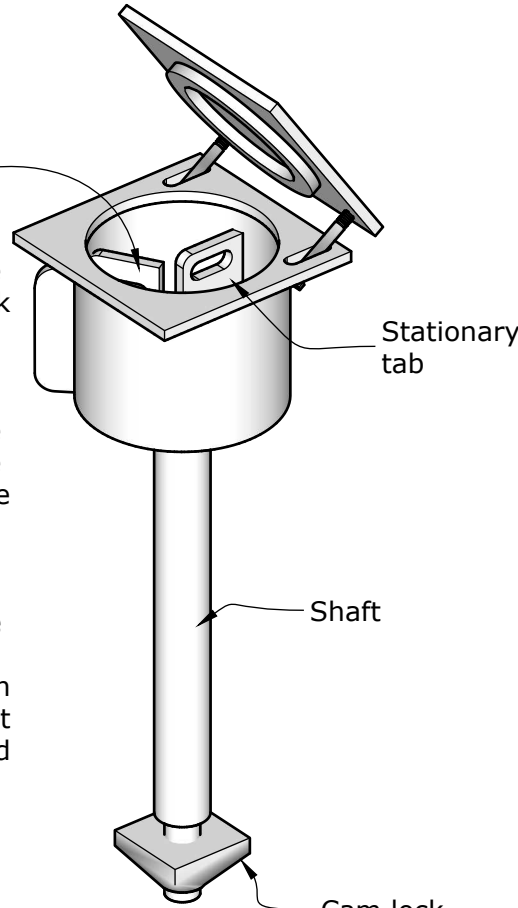


Lid Closed

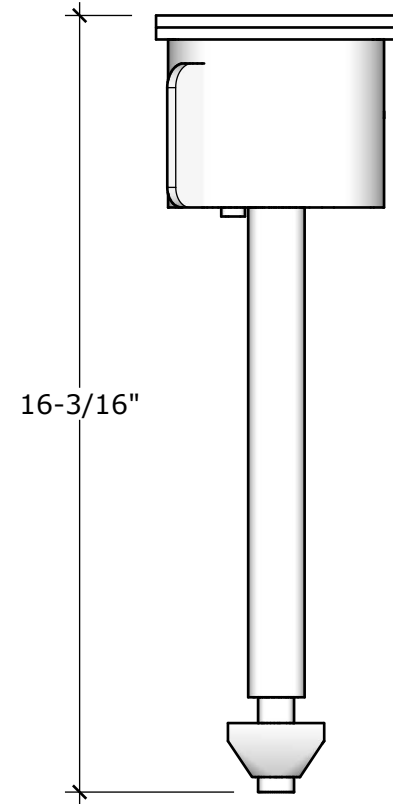
This tab is welded to the vertical shaft and cam lock at the bottom.


It has to be in the position shown to insert or remove this product from the separate ground sleeve (shown next page).

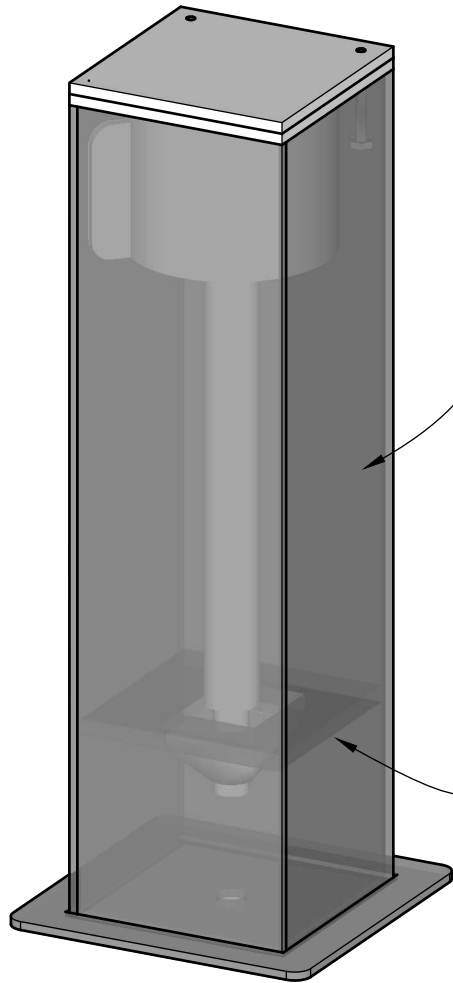
This tab pivots around, turning the cam at the bottom of the shaft, locking it into the ground sleeve. The customer can then add a padlock to prevent tampering (optional and supplied by customer).



Lid Open

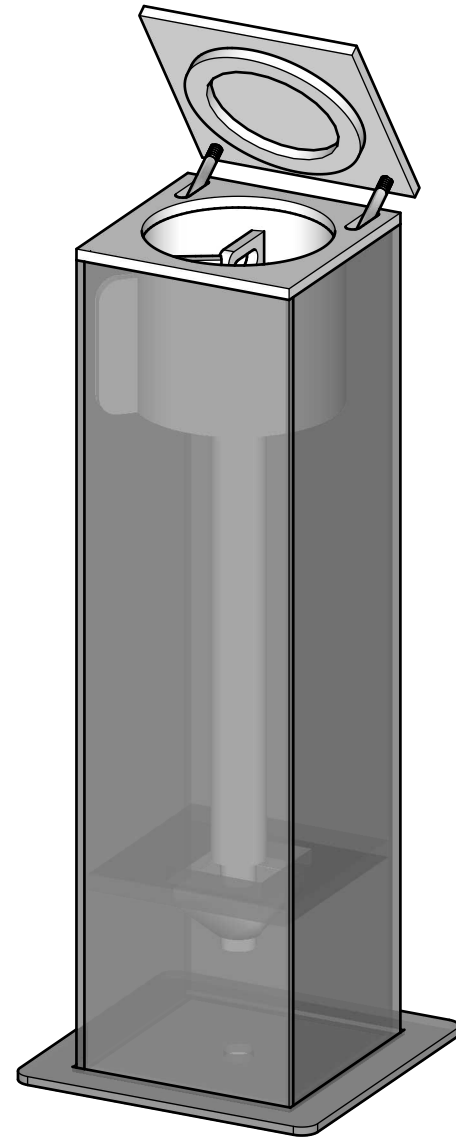



	<b>WISHBONE SITE FURNISHINGS</b> 210 - 27090 GLOUCESTER WAY LANGLEY, BC			
	<b>DWG. TITLE:</b> Denman Removable Bollard Cap <b>REVISION:</b> Oct 22 2024 R:01 Jay			
<b>MATERIAL:</b> ALUMINUM	<b>DWG. NO.:</b> N/A	<b>DRAWN BY:</b> Jay Meneely		
<b>PATTERN NO.:</b> N/A	<b>MODEL NO.:</b> DRB-CAP	<b>SCALE:</b> 1:4	<b>SHEET:</b> 1 of 2	<b>DATE:</b> Oct 22 2024



Ground sleeve  
(not included)

Internal square lock plate  
to engage cam lock



	<b>WISHBONE SITE FURNISHINGS</b> 210 - 27090 GLOUCESTER WAY LANGLEY, BC			
	<b>DWG. TITLE:</b> Denman Removable Bollard Cap <b>REVISION:</b> Oct 22 2024 R:01 Jay			
<b>MATERIAL:</b> ALUMINUM	<b>DWG. NO.:</b> N/A	<b>DRAWN BY:</b> Jay Meneely		
<b>PATTERN NO.:</b> N/A	<b>MODEL NO.:</b> DRB-CAP	<b>SCALE:</b> 1:4	<b>SHEET:</b> 2 of 2	<b>DATE:</b> Oct 22 2024